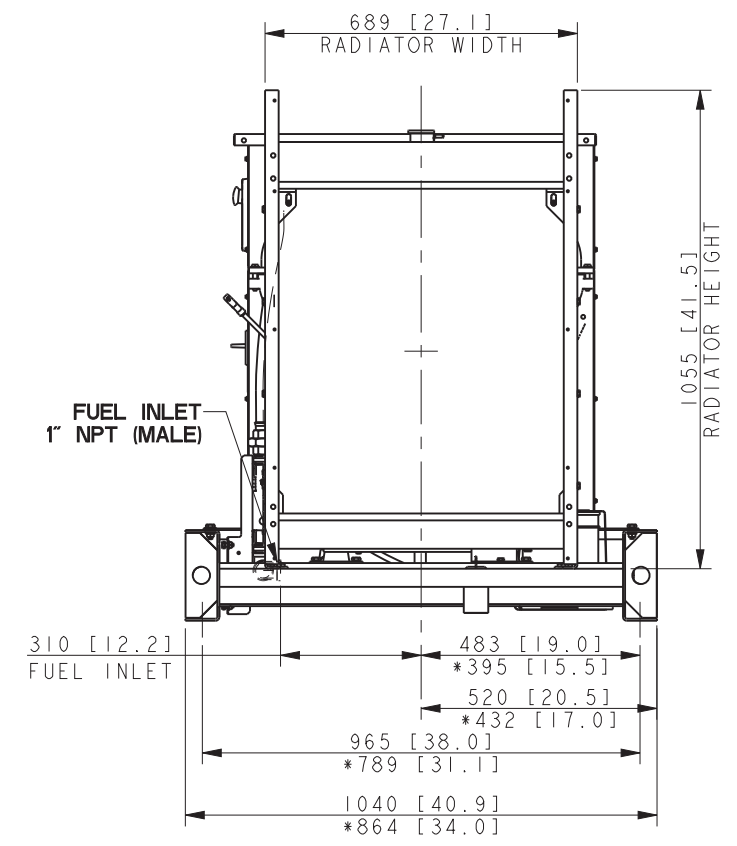
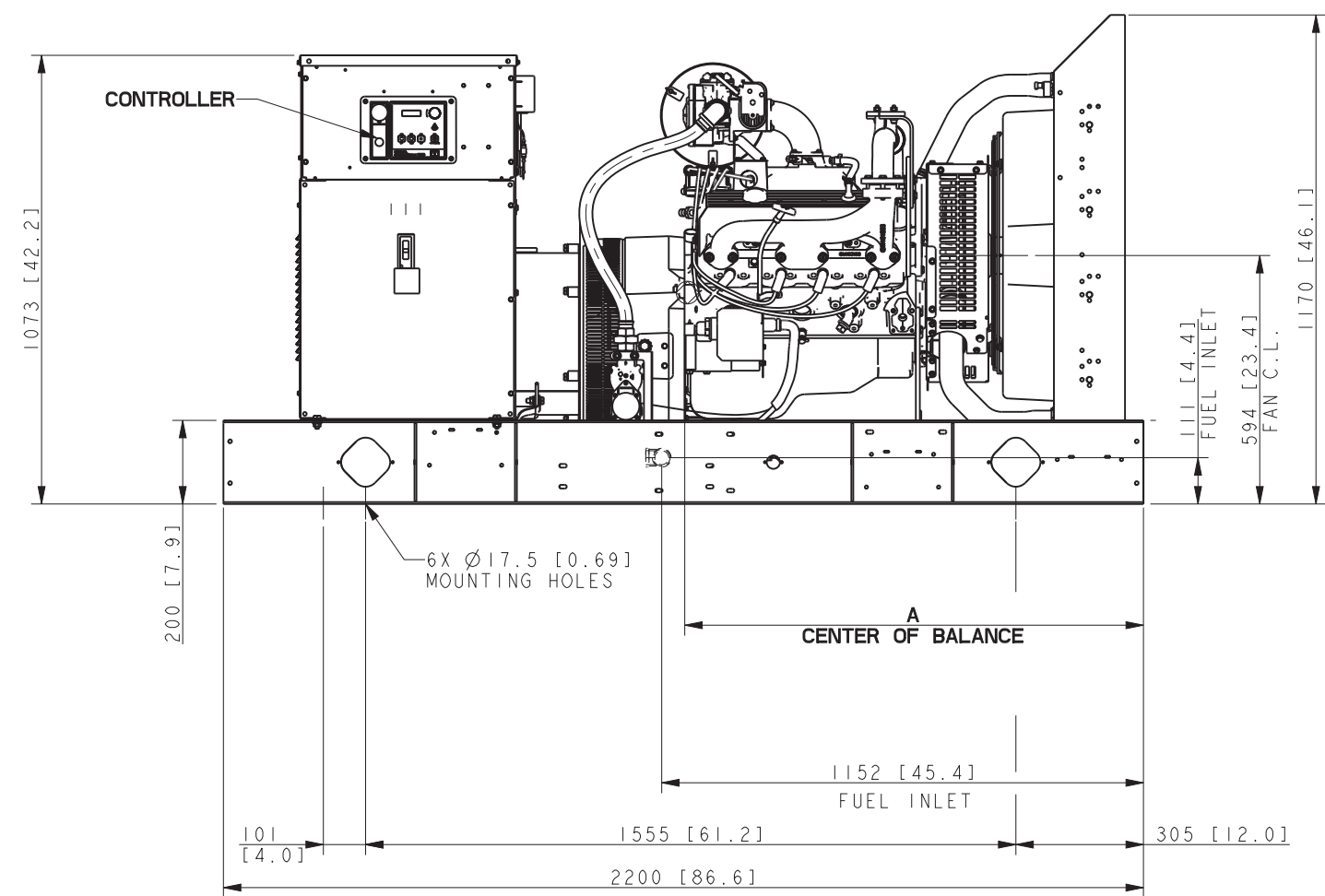


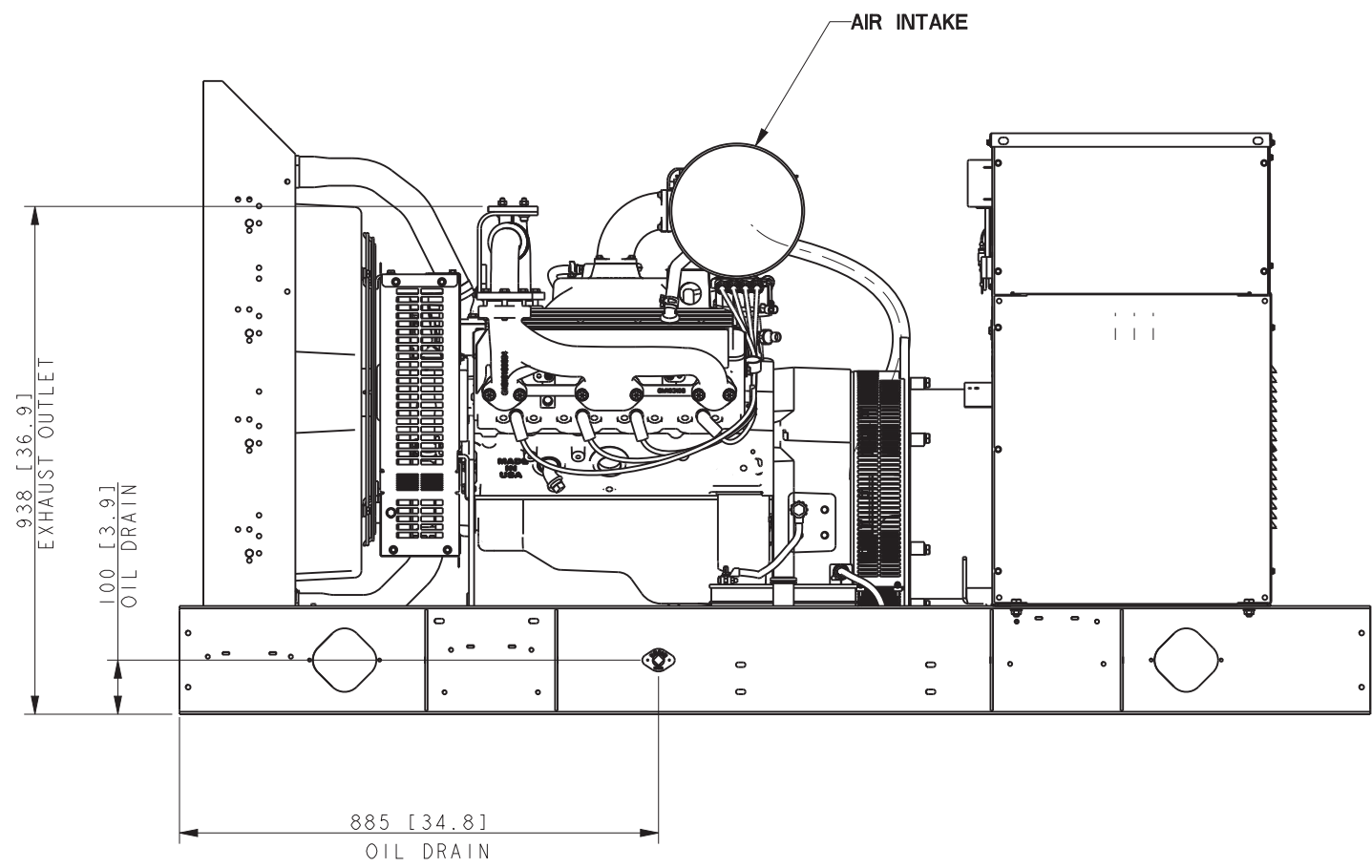
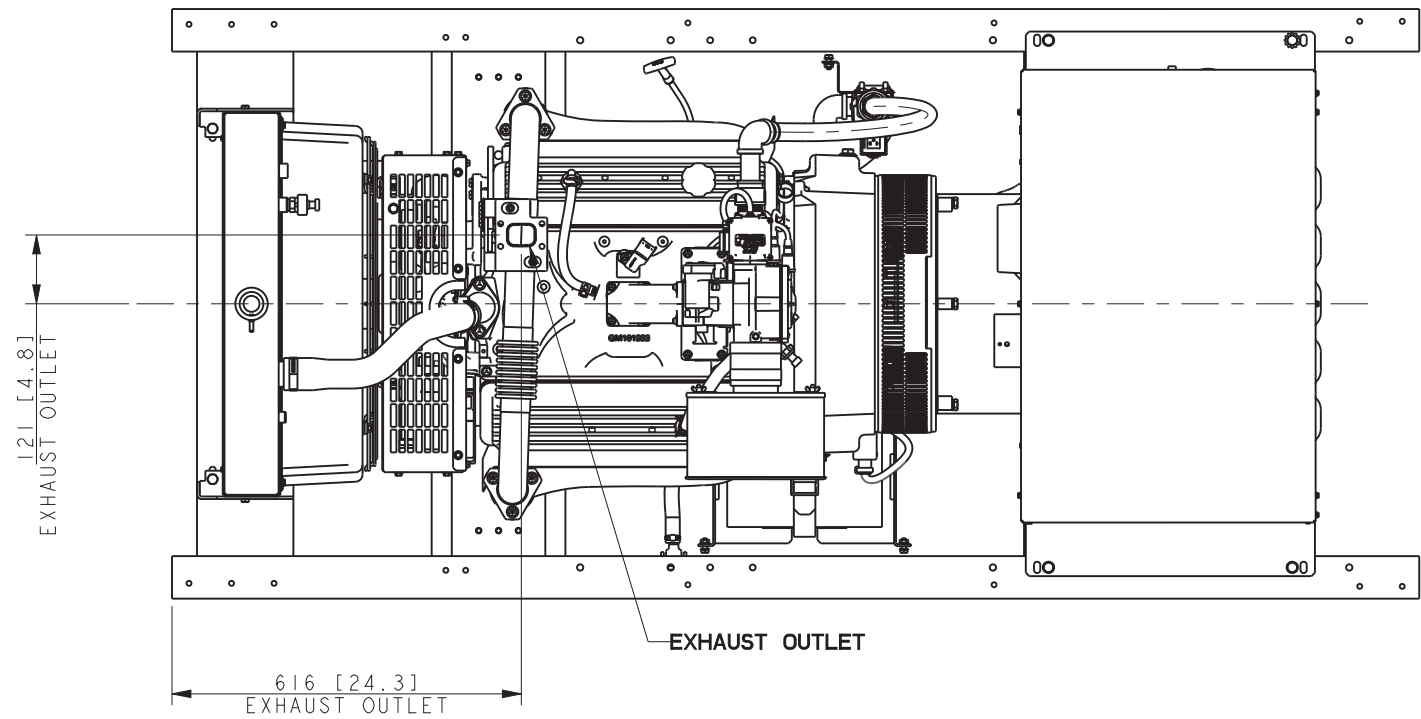
MODEL	ALTERNATOR	WEIGHT (WET)	A	B	C
40kW	4P5X/4Q5X	771 Kg [1699 LBS]	1005[39.6]	319[12.6]	140[5.5]
40kW/45kW	4P7BX/4Q7BX	807 Kg [1780 LBS]	1045[41.1]	319[12.6]	140[5.5]
60kW	4P7BX	807 Kg [1780 LBS]	1045[41.1]	219[8.6]	240[9.4]
45kW/60kW	4P8X	828 Kg [1825 LBS]	1056[41.5]	219[8.6]	240[9.4]
50kW	4P8X/4Q8X	828 Kg [1825 LBS]	1056[41.5]	219[8.6]	240[9.4]
45kW	4Q10X	862 Kg [1900 LBS]	1088[42.9]	219[8.6]	240[9.4]
50W/60kW	4P10X/4Q10X	862 Kg [1900 LBS]	1088[42.9]	219[8.6]	240[9.4]



- NOTES:**
- IF IBC CERTIFICATION IS APPLICABLE OR REQUIRED SEE SEISMIC ADV FOR INSTALLATION INSTRUCTIONS.
 - DIMENSIONS IN [] ARE ENGLISH STANDARD EQUIVALENTS.
 - * - ASTERISK DENOTES 864 [34.0] SKID WIDTH.

REV	DATE	ON COMPOSITE DWGS, SEE PART NO. FOR REVISION LEVEL	BY	DO NOT SCALE. REFERENCE THE MODEL FOR ALL UNSPECIFIED DIMENSIONS
-	10-6-17	NEW DRAWING [CT179982]	JWL	UNLESS OTHERWISE SPECIFIED: ALL DIMENSIONS IN MILLIMETERS GENERAL TOLERANCES: N/A
				KOHLER KOHLER, WISCONSIN 53044 THIS DRAWING IN DESIGN AND DETAIL IS KOHLER CO. PROPERTY AND MUST NOT BE USED EXCEPT IN CONNECTION WITH KOHLER CO. WORK. ALL RIGHTS OF DESIGN OR INVENTION ARE RESERVED.
				TITLE DIMENSION PRINT, 40-60 KW
				SCALE 0.15 CAD NO. SHEET 1 of 4
				DWG NO. ADV-8967

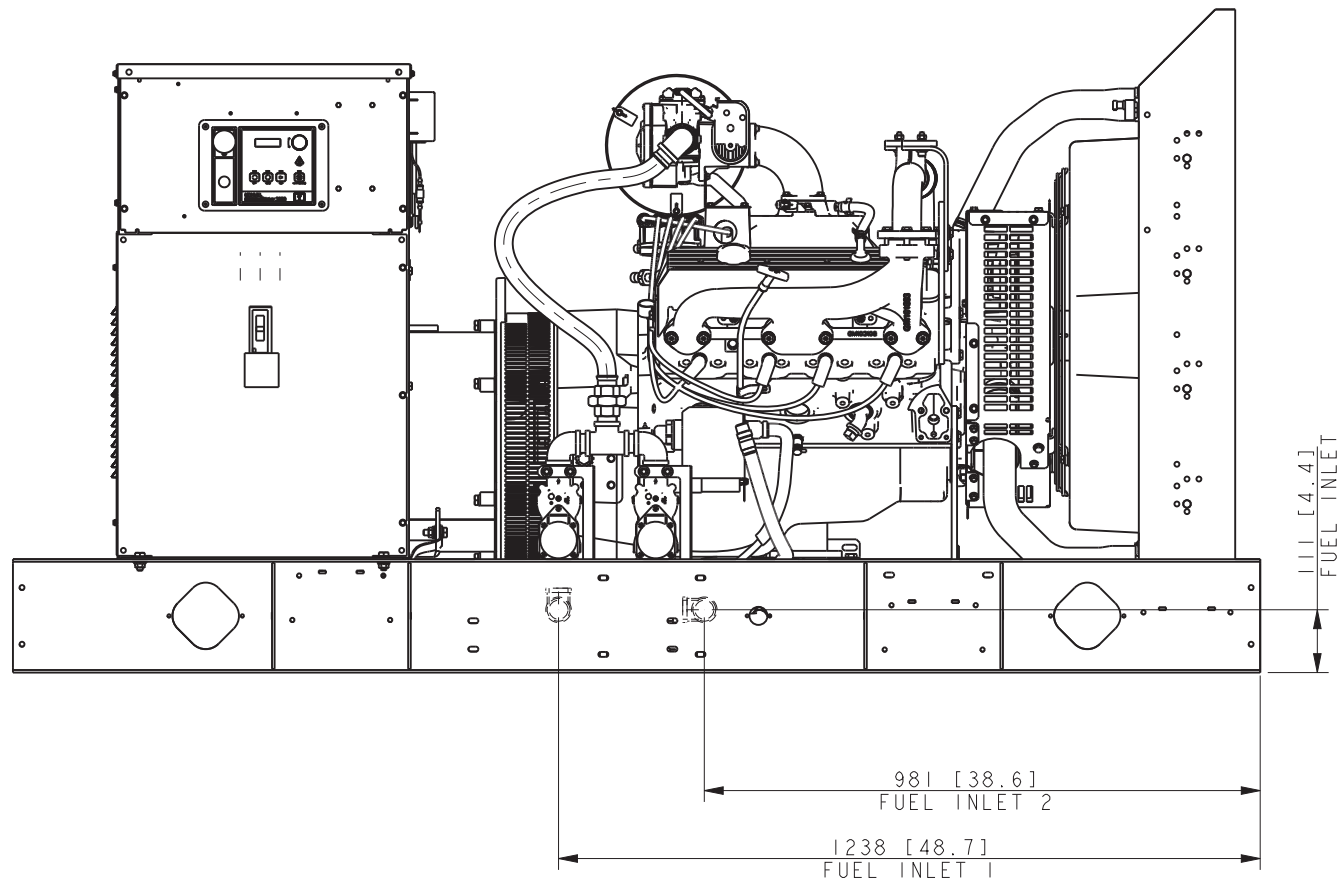
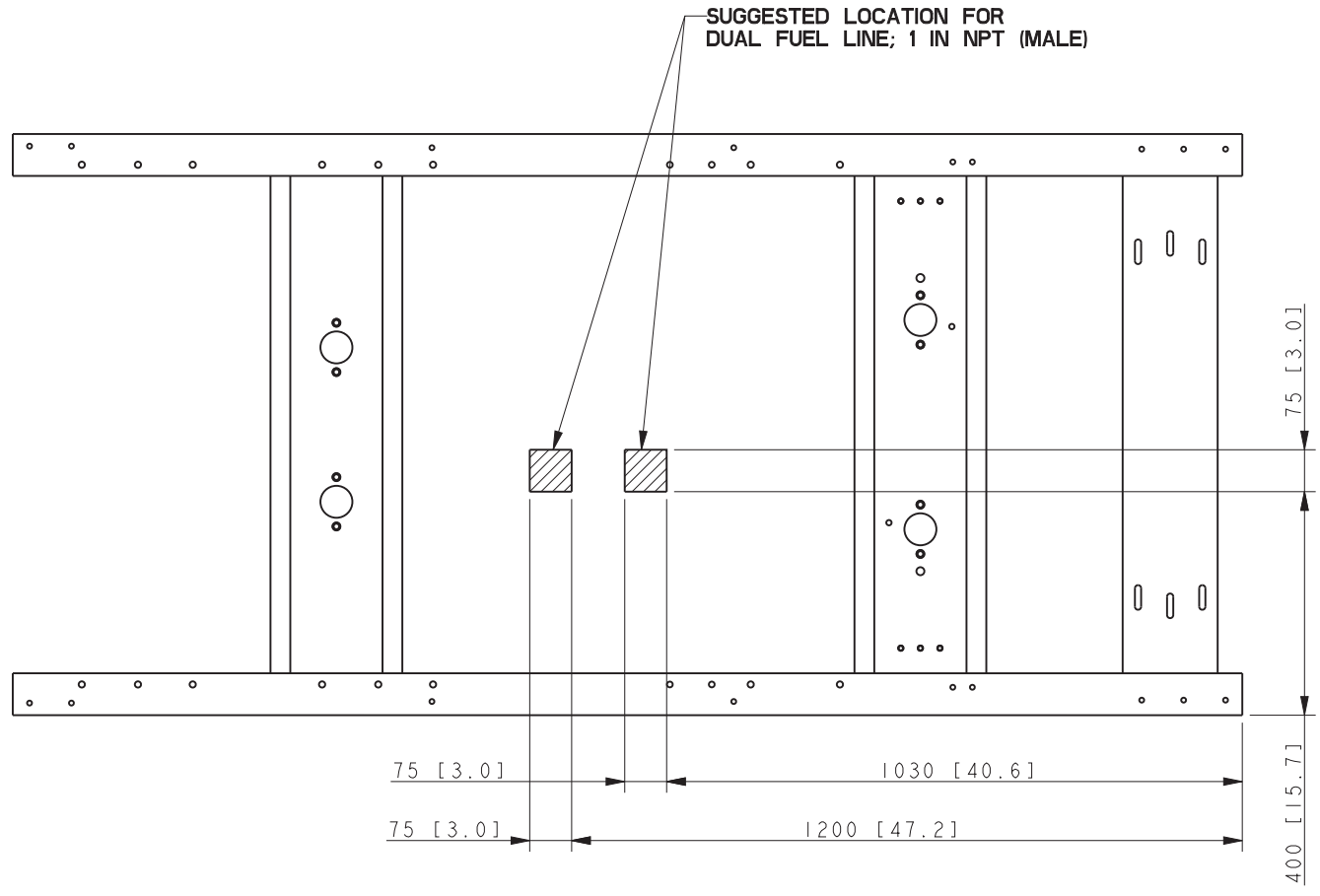
RECONNECTABLE & 600V ALTERNATOR



- NOTES:
1. IF IBC CERTIFICATION IS APPLICABLE OR REQUIRED SEE SEISMIC ADV FOR INSTALLATION INSTRUCTIONS.
 2. DIMENSIONS IN [] ARE ENGLISH STANDARD EQUIVALENTS.
 3. * - ASTERISK DENOTES 864 [34.0] SKID WIDTH.

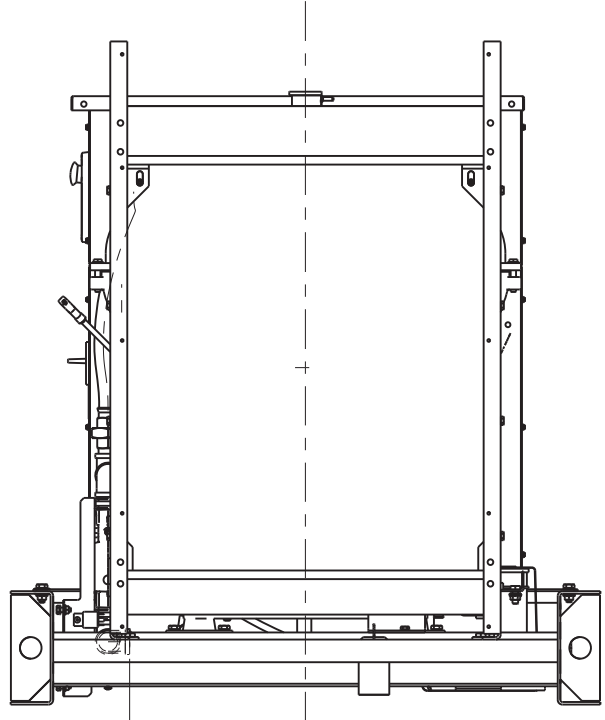
RECONNECTABLE & 600V ALTERNATOR

REV	DATE	ON COMPOSITE DWGS. SEE PART NO. FOR REVISION LEVEL	BY	DO NOT SCALE. REFERENCE THE MODEL FOR ALL UNSPECIFIED DIMENSIONS
-	10-6-17	NEW DRAWING [CT179982]	JWL	UNLESS OTHERWISE SPECIFIED: ALL DIMENSIONS IN MILLIMETERS GENERAL TOLERANCES: N/A
				KOHLER. KOHLER, WISCONSIN 53044 THIS DRAWING IN DESIGN AND DETAIL IS KOHLER CO. PROPERTY AND MUST NOT BE USED EXCEPT IN CONNECTION WITH KOHLER CO. WORK. ALL RIGHTS OF DESIGN OR INVENTION ARE RESERVED. TITLE DIMENSION PRINT, 40-60 KW SCALE 0.15 CAD NO. SHEET 2 of 4 DWG NO. ADV-8967
				THIRD ANGLE PROJECTION
				APPROVALS DATE
				DRAWN JWL 10-6-17
				CHECKED DJV 10-6-17
				APPROVED KJT 10-6-17



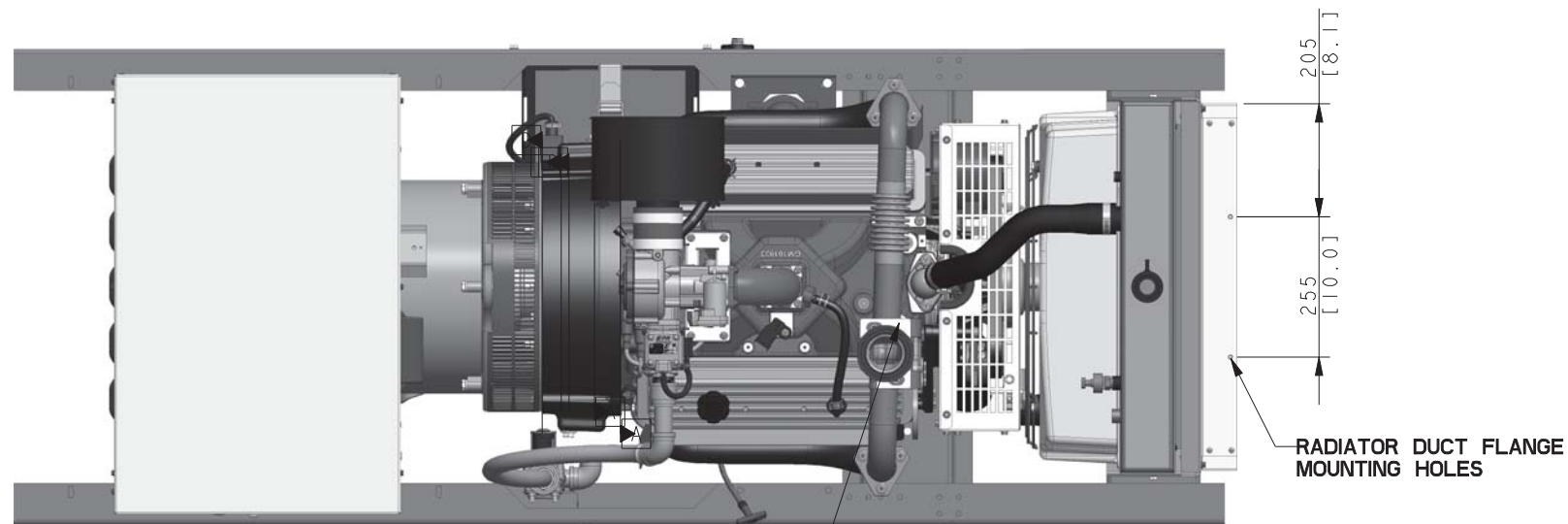
DUAL FUEL NAT GAS

RECONNECTABLE & 600V ALTERNATOR

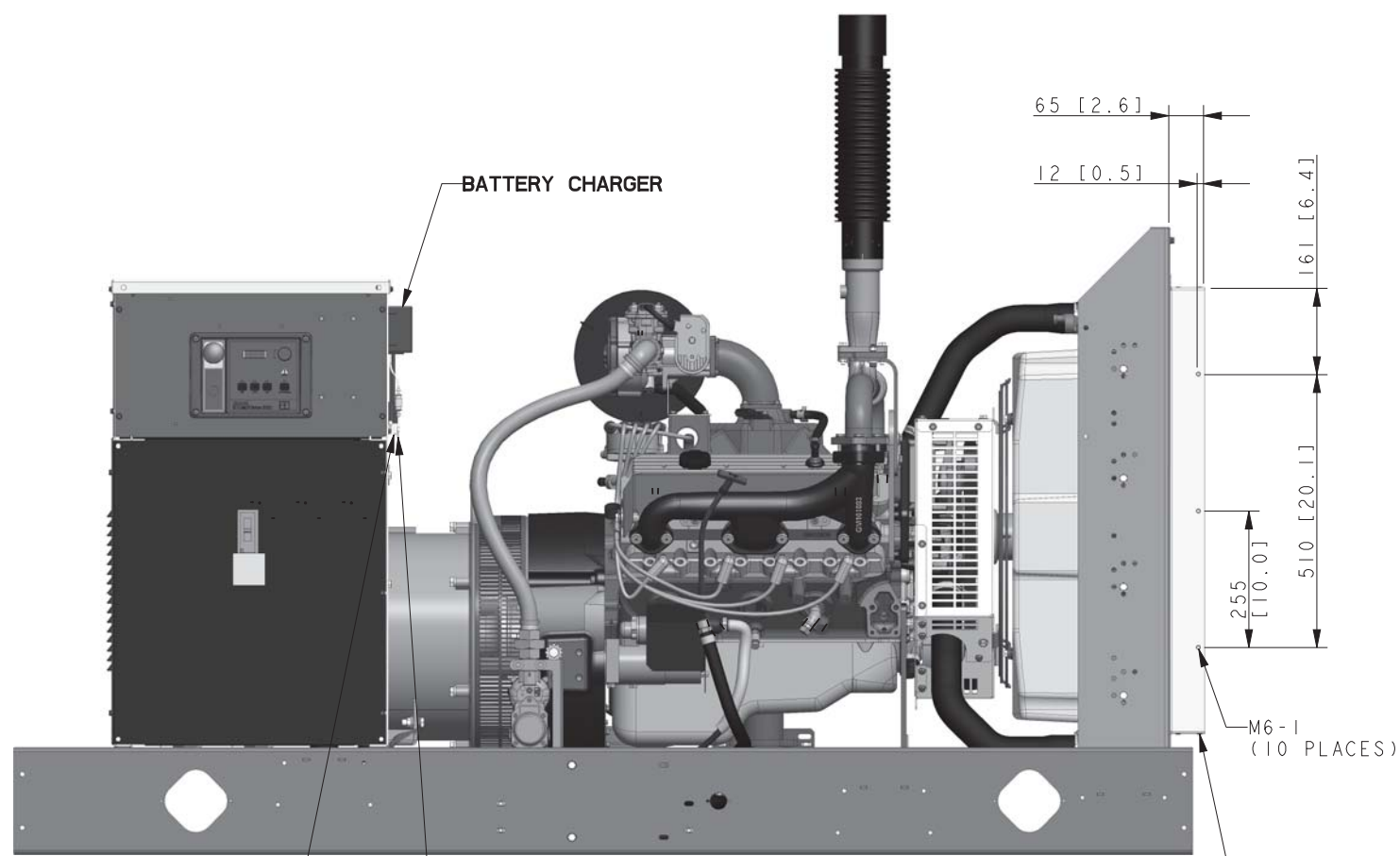


- NOTES:
- IF IBC CERTIFICATION IS APPLICABLE OR REQUIRED SEE SEISMC ADV FOR INSTALLATION INSTRUCTIONS.
 - DIMENSIONS IN [] ARE ENGLISH STANDARD EQUIVALENTS.
 - * - ASTERISK DENOTES 864 [34.0] SKID WIDTH.

REV	DATE	ON COMPOSITE DWGS, SEE PART NO. FOR REVISION LEVEL	BY	DO NOT SCALE, REFERENCE THE MODEL FOR ALL UNSPECIFIED DIMENSIONS
-	10-6-17	NEW DRAWING [CT179982]	JWL	UNLESS OTHERWISE SPECIFIED: ALL DIMENSIONS IN MILLIMETERS GENERAL TOLERANCES: N/A
				KOHLER KOHLER, WISCONSIN 53044 THIS DRAWING IN DESIGN AND DETAIL IS KOHLER CO. PROPERTY AND MUST NOT BE USED EXCEPT IN CONNECTION WITH KOHLER CO. WORK. ALL RIGHTS OF DESIGN OR INVENTION ARE RESERVED. TITLE DIMENSION PRINT, 40-60 KW SCALE 0.15 CAD NO. SHEET 3 of 4 DWG NO. ADV-8967
				THIRD ANGLE PROJECTION
				APPROVALS DATE
				DRAWN JWJ 10-6-17
				CHECKED DJV 10-6-17
				APPROVED KJT 10-6-17



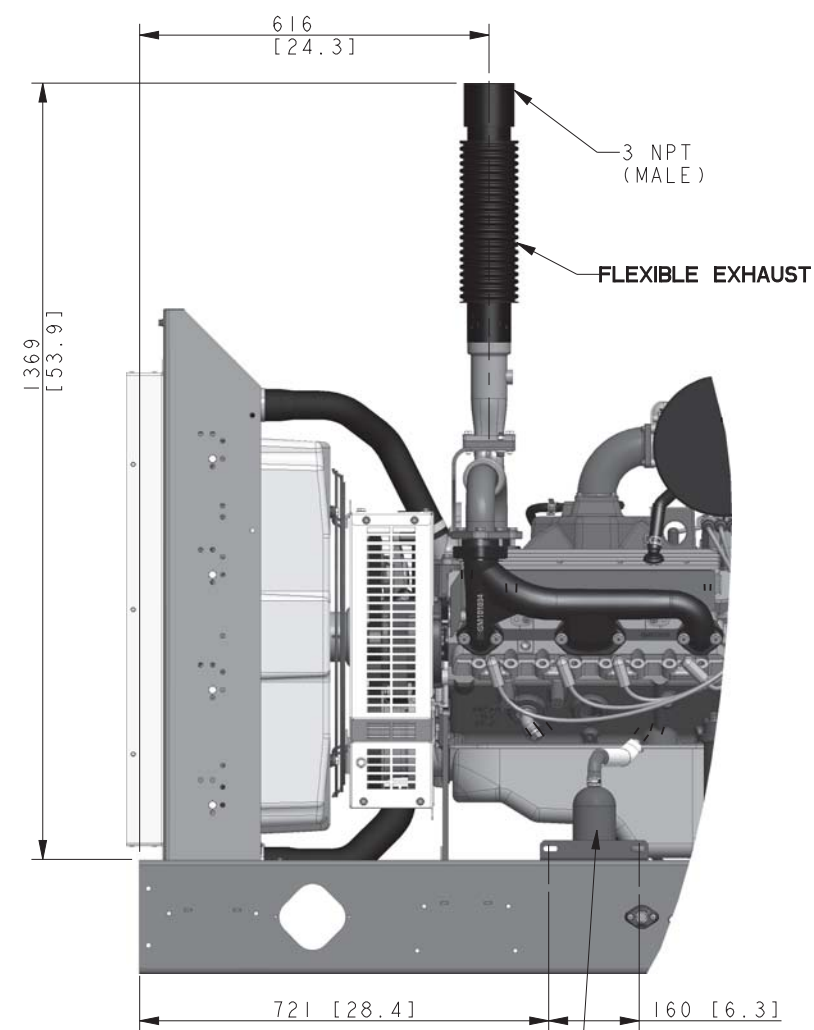
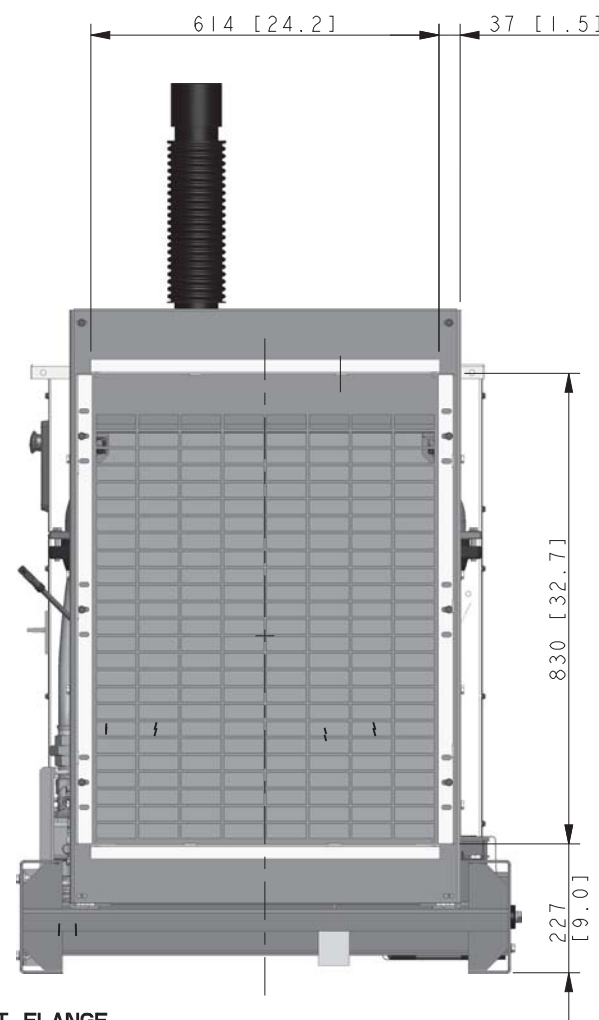
THERMOSTAT LOCATION



90-135V AC POWER CORD LENGTH 1829 [72.0]

CONNECT BOTH TERMINALS TO BATTERY

RADIATOR DUCT FLANGE



- NOTES:
1. IF IBC CERTIFICATION IS APPLICABLE OR REQUIRED SEE SEISMIC ADV FOR INSTALLATION INSTRUCTIONS.
2. DIMENSIONS IN [] ARE ENGLISH STANDARD EQUIVALENTS.
3. * - ASTERISK DENOTES 864 [34.0] SKID WIDTH.

RECONNECTABLE & 600V ALTERNATOR

REV	DATE	ON COMPOSITE DWGS, SEE PART NO. FOR REVISION LEVEL	BY	DO NOT SCALE, REFERENCE THE MODEL FOR ALL UNSPECIFIED DIMENSIONS
-	10-5-17	NEW DRAWING [CT179982]	JWL	UNLESS OTHERWISE SPECIFIED: ALL DIMENSIONS IN MILLIMETERS GENERAL TOLERANCES: N/A
				KOHLER KOHLER, WISCONSIN 53044 THIS DRAWING IN DESIGN AND DETAIL IS KOHLER CO. PROPERTY AND MUST NOT BE USED EXCEPT IN CONNECTION WITH KOHLER CO. WORK. ALL RIGHTS OF DESIGN OR INVENTION ARE RESERVED.
				TITLE DIMENSION PRINT, 40-60 KW
				SCALE 0.15 CAD NO. SHEET 4 of 4
				DWG NO. ADV-8967