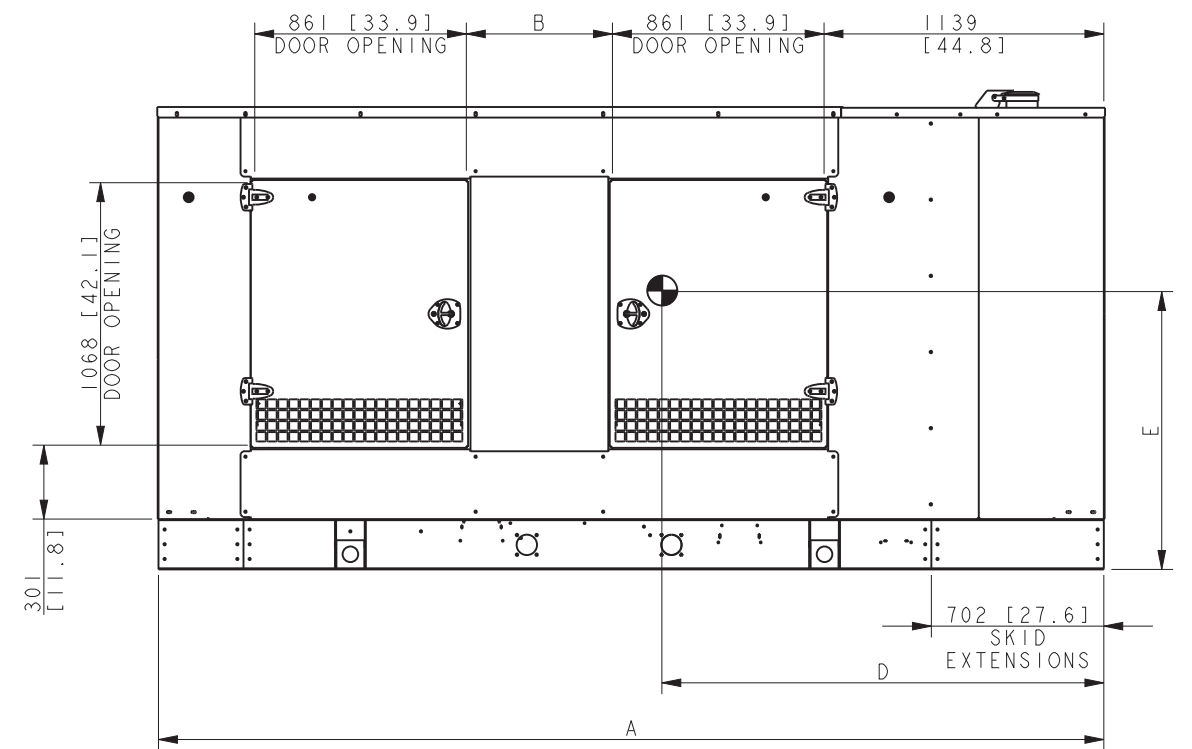
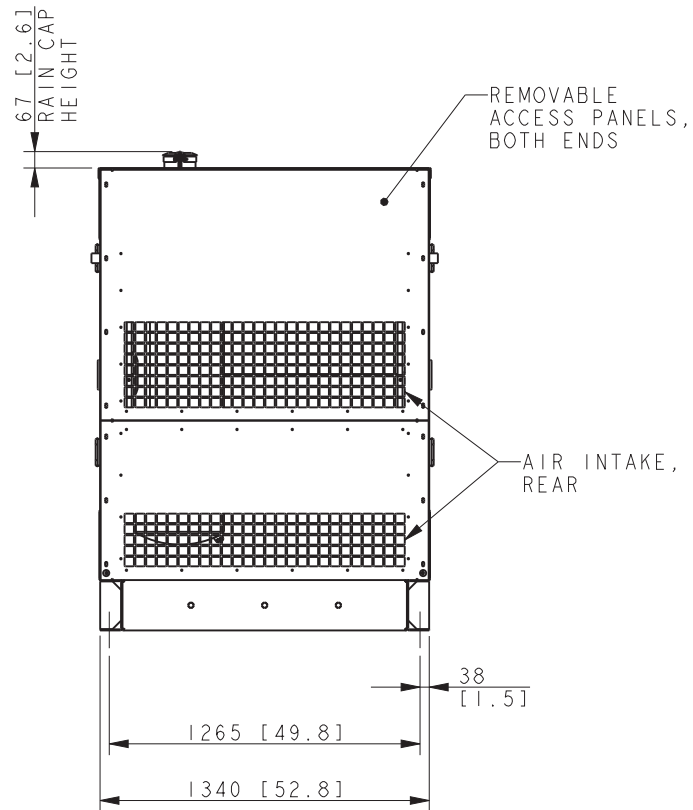
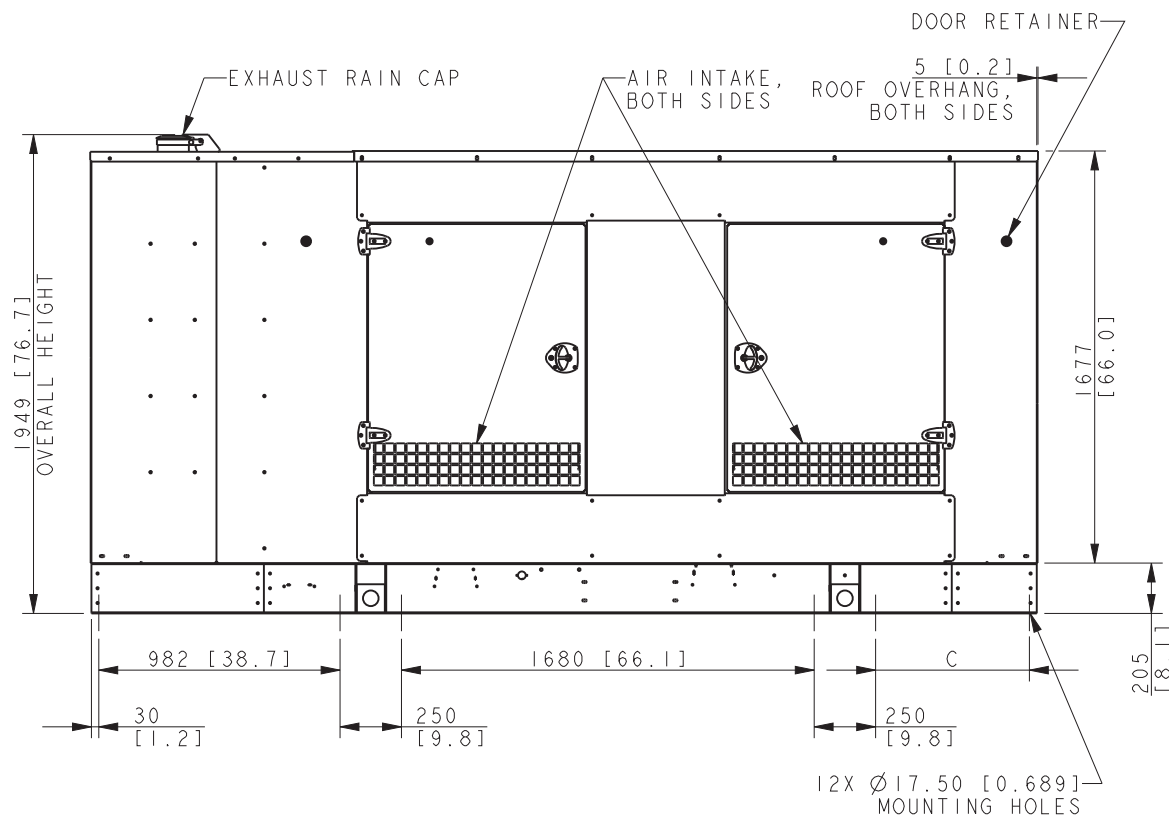
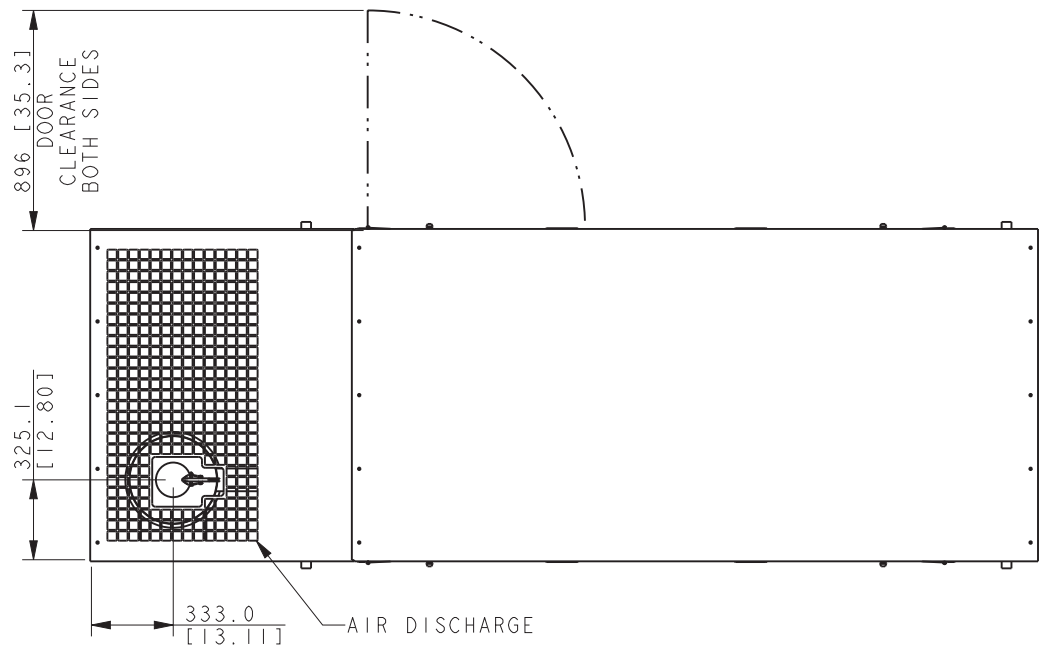


ENCLOSURE INFORMATION

NODE	MODEL	ENCLOSURE WEIGHT kg [lb]	LENGTH DIM A mm [in]	DOOR DIM B mm [in]	MOUNTING DIM C mm [in]	HOR CG DIM D mm [in]	VER CG DIM E mm [in]
150	STANDARD STEEL SOUND	632 [1393]	3502 [137.9]	335 [13.2]	NA	1593 [62.7]	1089 [42.9]
	STANDARD STEEL WEATHER	611 [1347]				1590 [62.6]	1082 [42.6]
	STANDARD ALUM SOUND	476 [1050]				1547 [60.9]	1045 [41.2]
180-200	STANDARD STEEL SOUND	668 [1472]	3848 [151.5]	595 [23.4]	626 [24.6]	1741 [68.5]	1100 [43.3]
	STANDARD STEEL WEATHER	645 [1422]				1743 [68.6]	1082 [42.6]
	STANDARD ALUM SOUND	607 [1339]				1793 [70.6]	1136 [44.7]

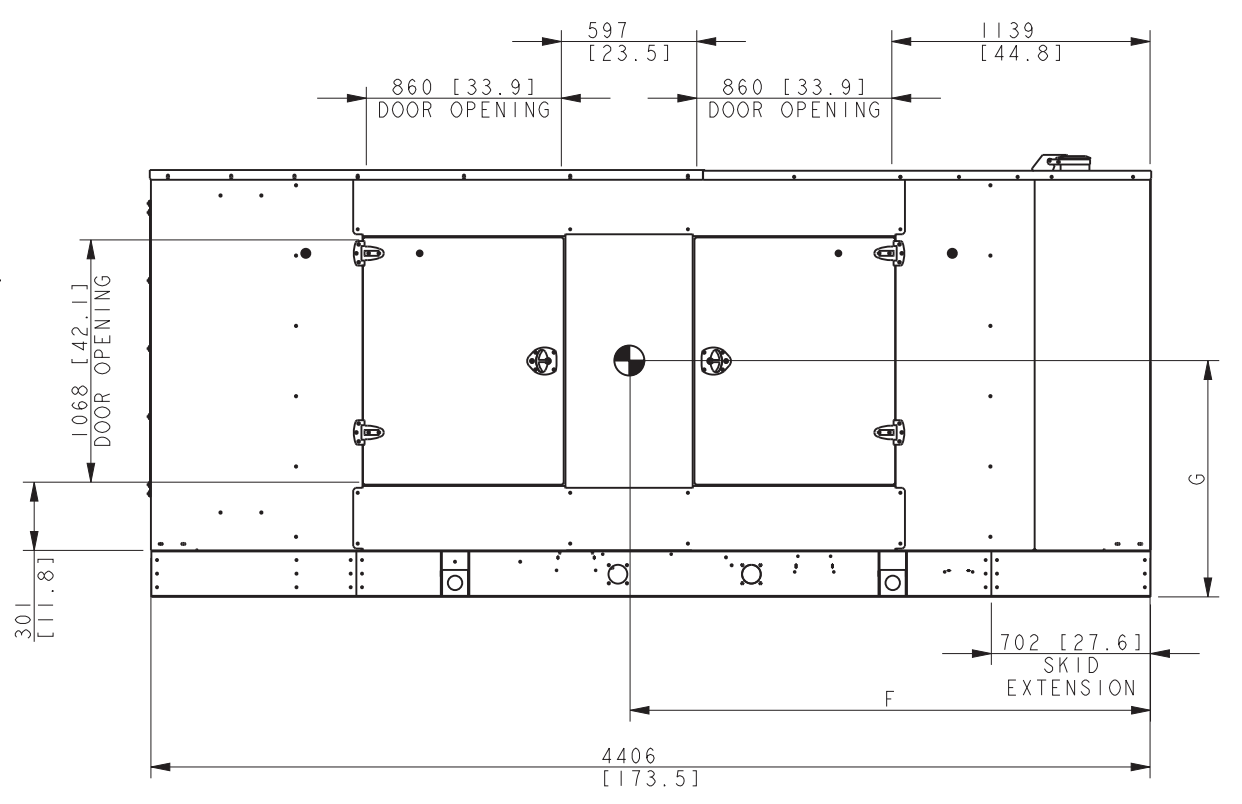
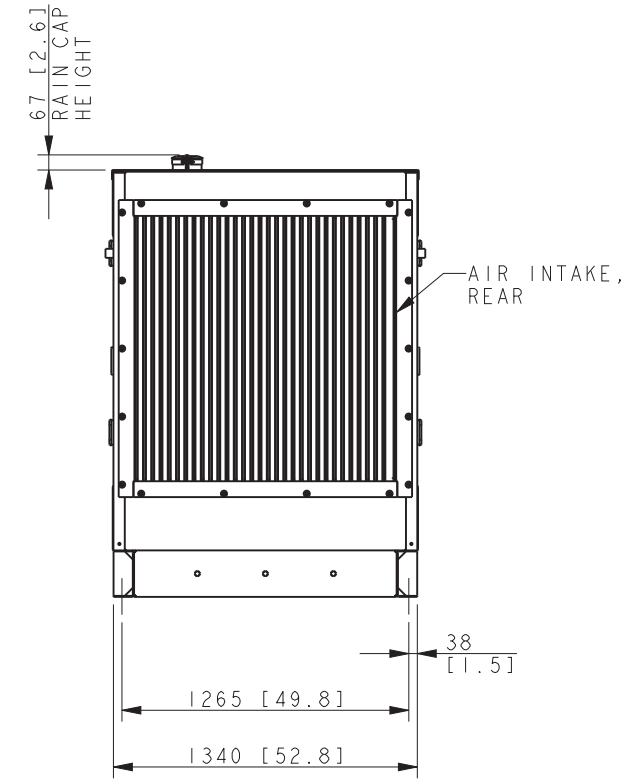
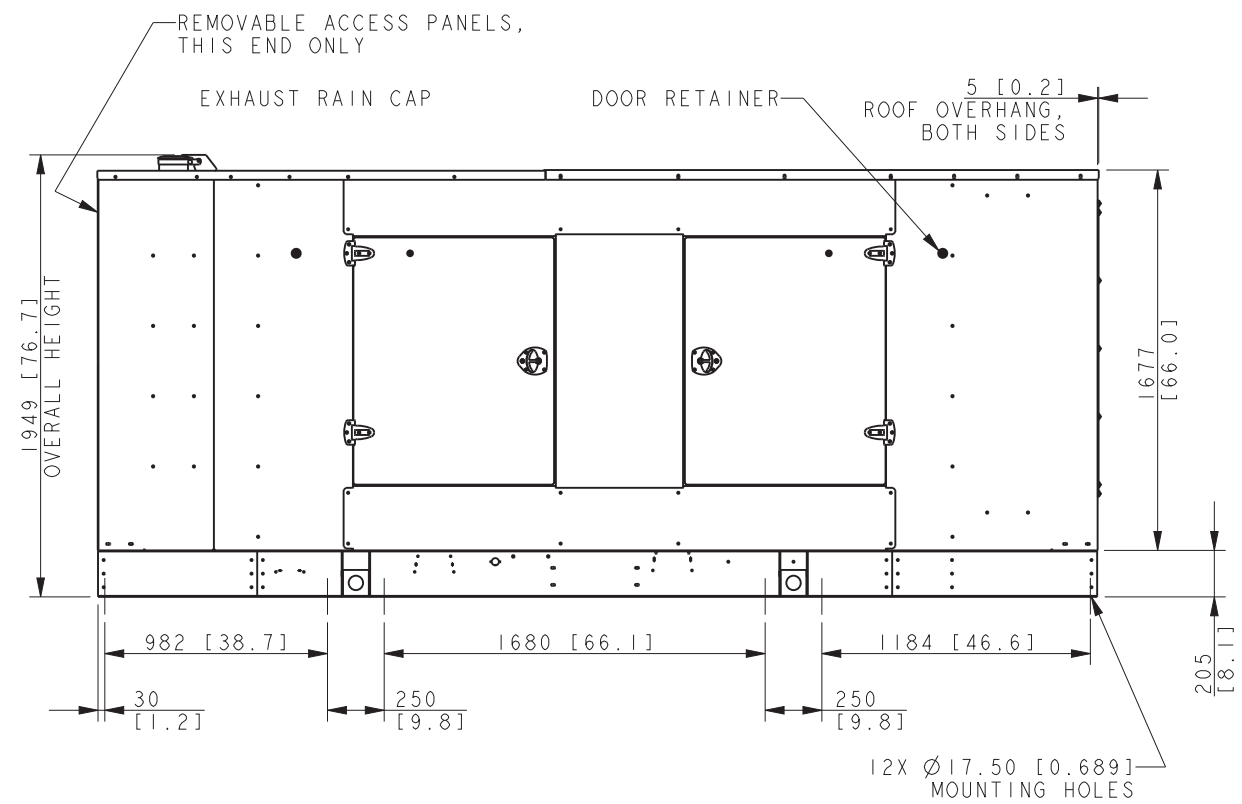
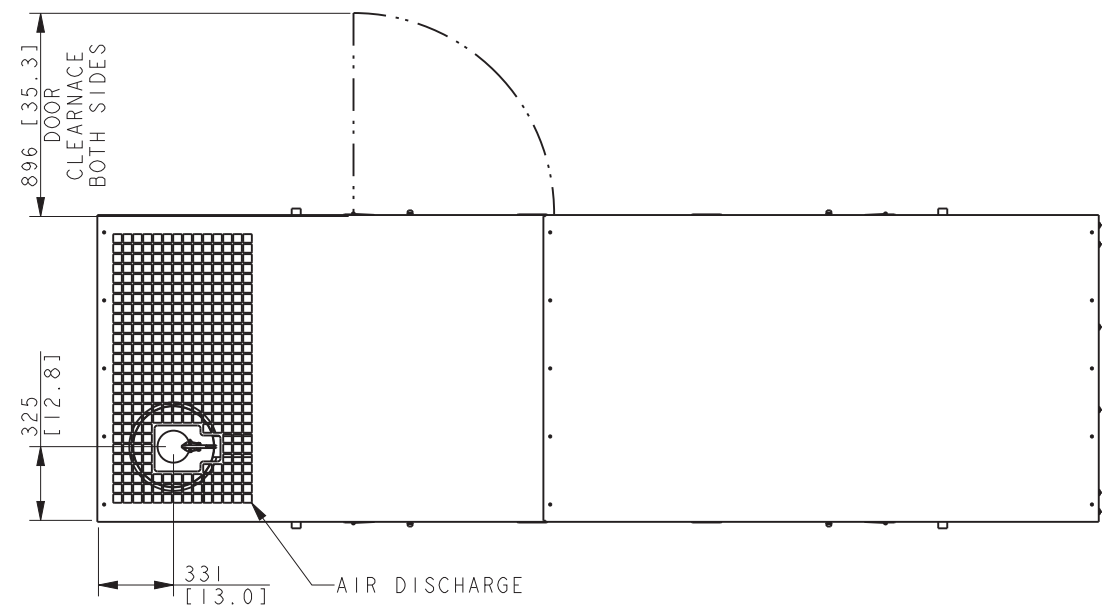


NOTE:
IF IBC CERTIFICATION IS REQUIRED, SEE SEISMIC ADV FOR INSTALLATION INSTRUCTIONS
DIMENSIONS IN [] ARE ENGLISH EQUIVALENTS

KG150 STANDARD
KG180-200 STANDARD
ENCLOSURES

REV	DATE	ON COMPOSITE DWGS, SEE PART NO. FOR REVISION LEVEL	BY	DO NOT SCALE, REFERENCE THE MODEL FOR ALL UNSPECIFIED DIMENSIONS
-	15NOV2019	NEW DRAWING [CT200025]	ZJS	UNLESS OTHERWISE SPECIFIED: ALL DIMENSIONS IN MILLIMETERS GENERAL TOLERANCES: N/A
A	07MAY2020	(D-1) REMOVED NON-PRODUCTION MODEL INFORMATION FROM TABLE [CT204048]	ZJS	KOHLER KOHLER, WISCONSIN 53044 THIS DRAWING IN DESIGN AND DETAIL IS KOHLER CO. PROPERTY AND MUST NOT BE USED EXCEPT IN CONNECTION WITH KOHLER CO. WORK. ALL RIGHTS OF DESIGN OR INVENTION ARE RESERVED. TITLE: DIMENSION PRINT, KG150-200 10.3L ENCL SCALE: 0.07 CAD NO. SHEET 1 of 3 DWG NO. ADV-9110
B	25JUL2020	SEE SHEET 2 [CT205576]	SSS	
				THIRD ANGLE PROJECTION
APPROVALS		DATE		
DRAWN ZJS		15NOV2019		
CHECKED KJB		15NOV2019		
APPROVED JMP		15NOV2019		

ENCLOSURE INFORMATION				
NODE	MODEL	ENCLOSURE WEIGHT kg [lb]	HOR CG DIM F mm [in]	VER CG DIM G mm [in]
150-200	PREMIUM STEEL SOUND	780 [1720]	2243 [88.3]	1087 [42.8]
	PREMIUM ALUM SOUND	608 [1340]	2293 [90.3]	1042 [41]



NOTE:
IF IBC CERTIFICATION IS REQUIRED, SEE SEISMIC ADV FOR INSTALLATION INSTRUCTIONS

DIMENSIONS IN [] ARE ENGLISH EQUIVALENTS

KG150-200 CONFIGURED ENCLOSURES

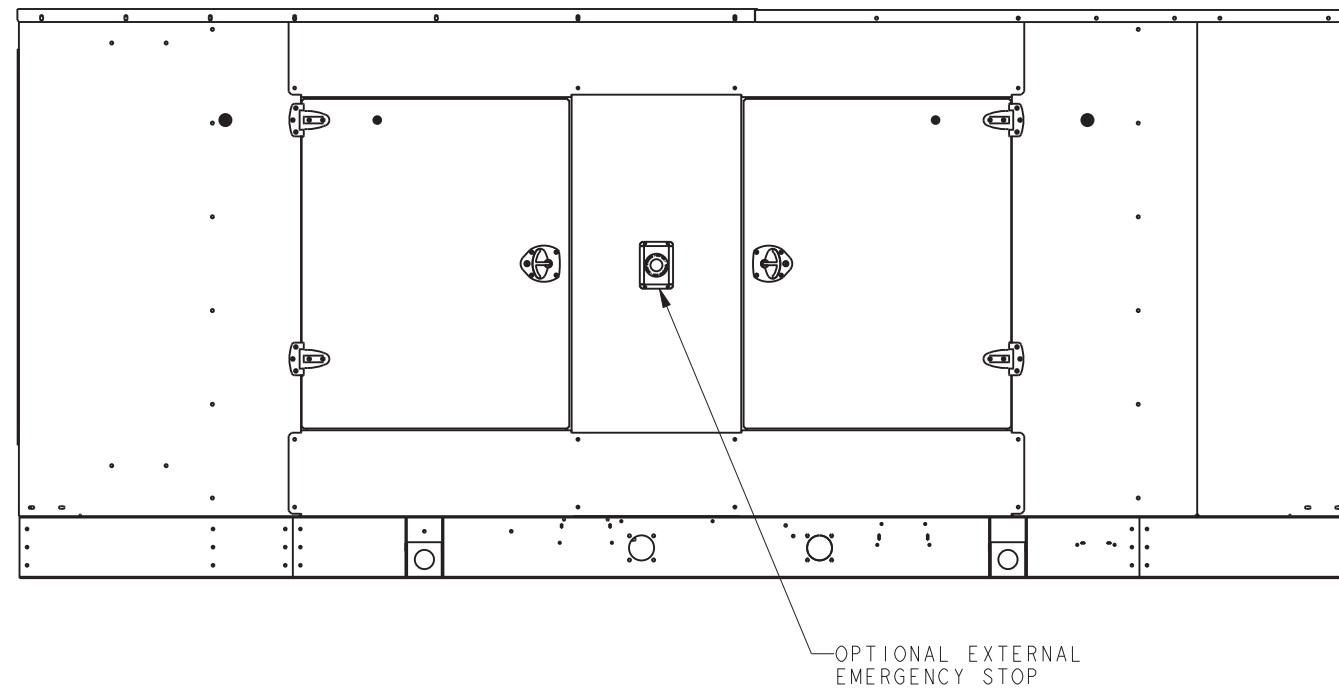
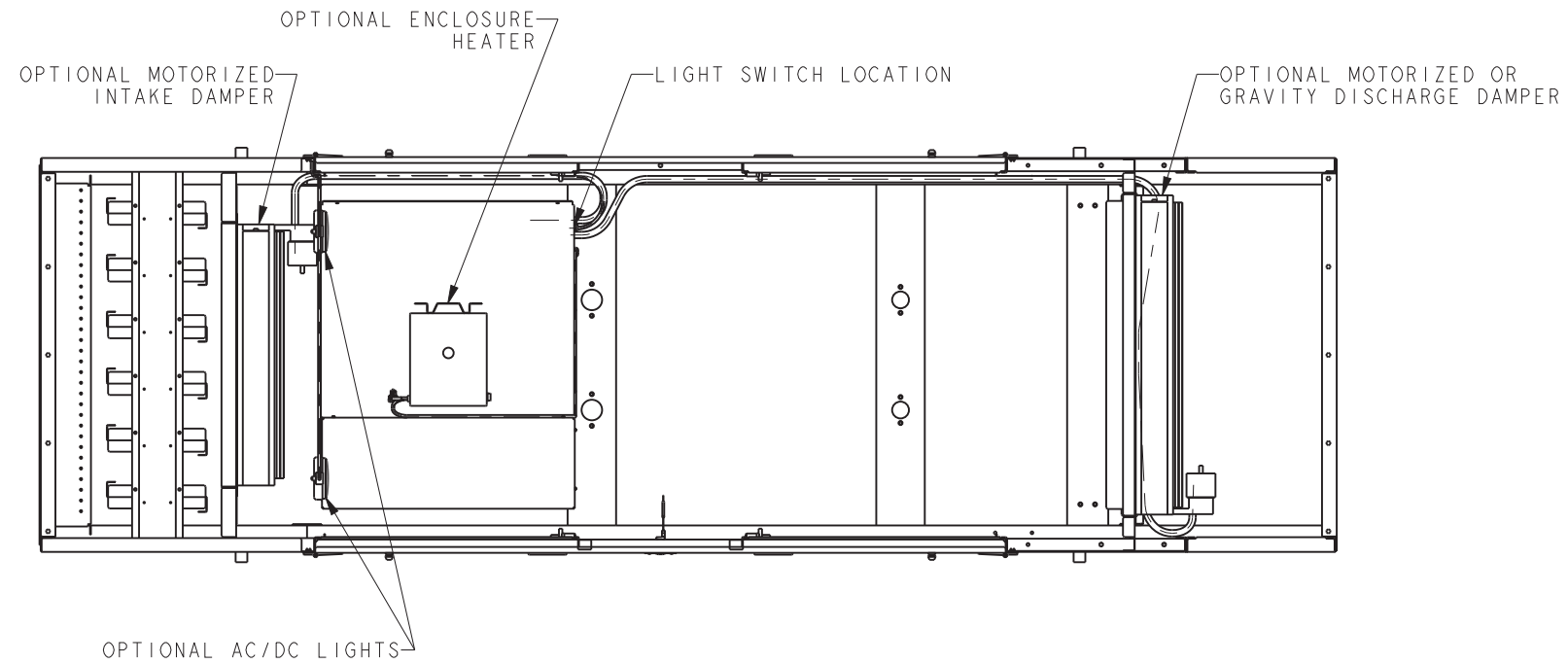
REV	DATE	ON COMPOSITE DWGS, SEE PART NO. FOR REVISION LEVEL	BY	DO NOT SCALE, REFERENCE THE MODEL FOR ALL UNSPECIFIED DIMENSIONS
-	15NOV2019	NEW DRAWING [CT200025]	ZJS	UNLESS OTHERWISE SPECIFIED: ALL DIMENSIONS IN MILLIMETERS GENERAL TOLERANCES: N/A
A	07MAY2020	SEE SHEET 1 [CT204048]	ZJS	KOHLER KOHLER, WISCONSIN 53044 THIS DRAWING IN DESIGN AND DETAIL IS KOHLER CO. PROPERTY AND MUST NOT BE USED EXCEPT IN CONNECTION WITH KOHLER CO. WORK. ALL RIGHTS OF DESIGN OR INVENTION ARE RESERVED. TITLE: DIMENSION PRINT, KG150-200 10.3L ENCL SCALE: 0.06 CAD NO. SHEET 2 of 3 DWG NO. ADV-9110
B	25JUL2020	(D-3) "PREMIUM" WAS "CONFIGURED" [CT205576]	SSS	

APPROVALS	DATE
DRAWN ZJS	15NOV2019
CHECKED KJB	15NOV2019
APPROVED JMP	15NOV2019



8 7 6 5 4 3 2 1

D
C
B
A



KG150-200 CONFIGURED
OPTIONAL ACCESSORIES

REV	DATE	ON COMPOSITE DWGS. SEE PART NO. FOR REVISION LEVEL	BY	DO NOT SCALE. REFERENCE THE MODEL FOR ALL UNSPECIFIED DIMENSIONS
-	15NOV2019	NEW DRAWING [CT200025]	ZJS	UNLESS OTHERWISE SPECIFIED: ALL DIMENSIONS IN MILLIMETERS GENERAL TOLERANCES: N/A
A	07MAY2020	SEE SHEET 1 [CT204048]	ZJS	
B	25JUL2020	SEE SHEET 2 [CT205576]	SSS	
				THIRD ANGLE PROJECTION
APPROVALS		DATE		
DRAWN	ZJS	15NOV2019		
CHECKED	KJB	15NOV2019		
APPROVED	JMP	15NOV2019		
TITLE			SCALE	SHEET 3 of 3
DIMENSION PRINT, KG150-200 10.3L ENCL			0.08	
DWG NO.			CAD NO.	
ADV-9110				D

8 7 6 5 4 3 2 1